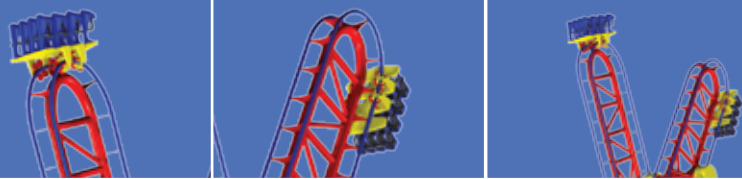


ROLL "A" COASTER



“ The most unique and exciting ride this century! ”

THIS RIDE COMBINES

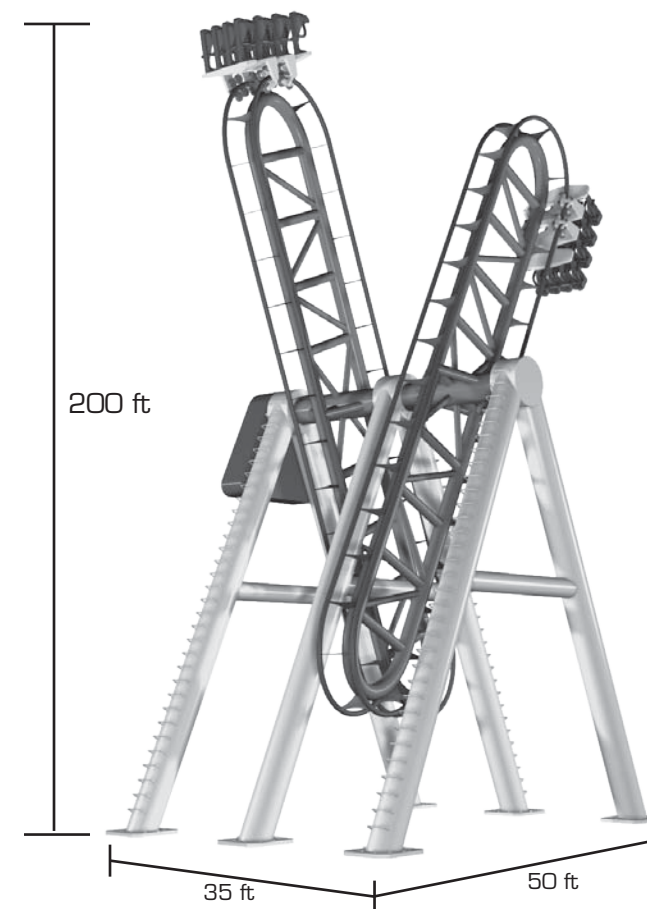
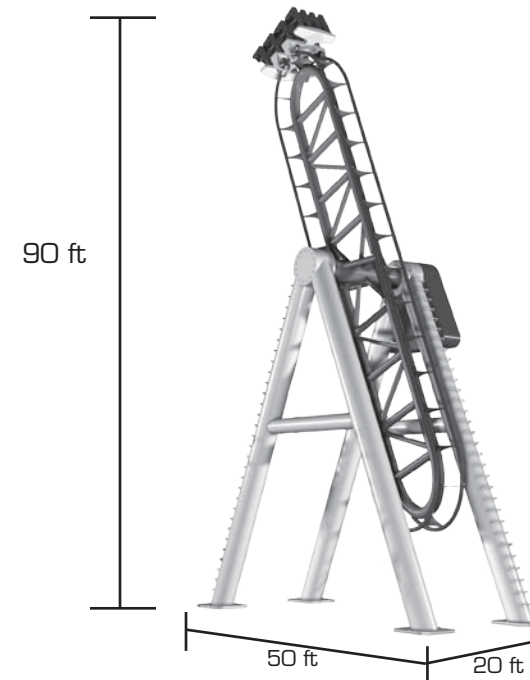
the popularity, excitement and thrill of a major coaster, in the small footprint of a flat ride. The Roll "A" Coaster is built around a looping roller coaster track with a suspended coaster train. This allows guests to experience a ride that could previously only be accomplished by riding several different rides. This fully programmable coaster offers passengers the unforgettable experience of traveling at high speed around an oval track, while the track is rotating. An experience never seen before in the amusement industry.

The Roll "A" Coaster can be programmed to allow passengers to travel around multiple times forward or backward, doing inversions and free fall maneuvers. With 8 or 16 seat coaster trains on one or two independent rotating oval tracks, the Roll "A" Coaster offers a high capacity ride at a low cost. The ride can be installed in heights from 90 to 200 feet.

ROLL - A - COASTER



“A” ROLL A COASTER



SPECIFICATIONS

Cycling Capacity: 240 to 960 PPH depending on model

Height: 90 to 200 feet high

Size: All the elements of a major coaster with a small footprint. (38 ft. by 80 ft.)

Speed: 30 to 60 mph

Warranty: First season performance guarantee

Seat Capacity: 1 to 2 trains each having 16 to 32 seat capacity

Braking: Magnetic braking

Energy Consumption: 300 to 600 kw depending on model

Wheels: Large diameter, solid synthetic material

Restraints: Escape proof and fully redundant passenger restraints

Restraint system uses Interactive's continuous locking technology



INTERACTIVE RIDES, INC.

www.interactiverides.com 435.755.5845 Logan, Utah



INTERACTIVE RIDES, INC.