

INVERTED CENTRIFUGE



“INSANITY-THE RIDE is the next level in an ongoing trend of creating the most extreme thrill ride out there!”

Bobby Ray Harris,
General Manager at Stratosphere Casino and Hotel.



THE NEW INSANITY RIDE

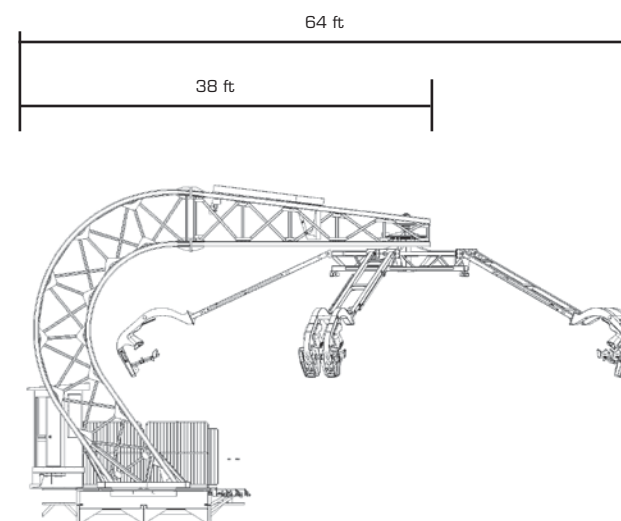
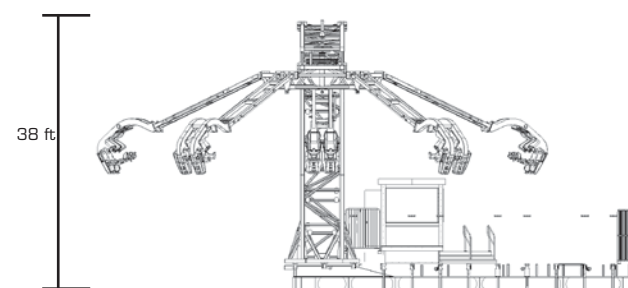
opened in the spring of 2005 on top of the Stratosphere. It contains pairs of seats that hold a total of ten passengers in “escape proof” seats, the same type of seats and restraints used on the X-Scream ride. The seats are attached to a pivoting arm that propels the 10 passenger seats over the edge of the Stratosphere Tower. The passengers travel approximately 64 feet (20 meters) past the observation deck and out over the edge of the Stratosphere Tower.

Riders experience the thrill of going over the edge of the tower, and will spin outward facing down at the Las Vegas strip below. The ride system is programmable. An unobstructed view of the world-famous Las Vegas Strip rewards those riders brave enough to ride.

INSANITY on top of the Stratosphere in Las Vegas

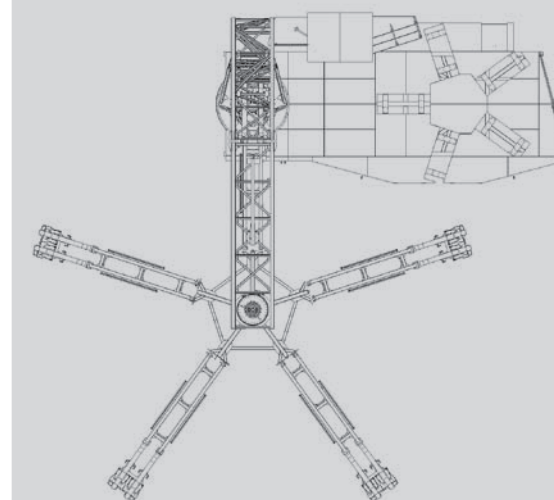


INVERTED CENTRIFUGE



- Cycle Capacity:** 240 – 300 PPH
- Ride Height:** from Ride Base: 40 Feet (12 meters)
- Vehicle Travel:** 64 Feet (20 meters) maximum
- Ride Speed:** 40 Miles Per Hour (64 kph)
- Maximum “G” Force:** 3 “G’s”
- Seat Capacity:** 8-10 Passengers
- Passenger Restraints:** Individual Restraints with Escape Proof Redundant Ratcheting System
- Power System:** Electric Motors
- Control System:** Programmable Allen-Bradley

SPECIFICATIONS



INTERACTIVE RIDES, INC.

www.interactiverides.com 435.755.5845 Logan, Utah



INTERACTIVE RIDES, INC.